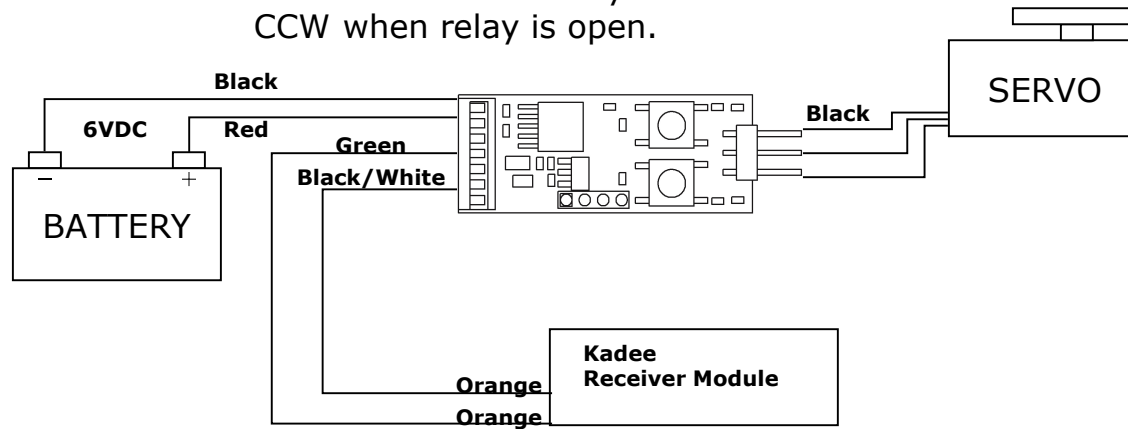


Kadee Receiver Module Wiring Example

Servo will rotate CW when Kadee Receiver Modules relay is closed and CCW when relay is open.



See User Manual for Connecting Power to the Receiver Module